

GNF-60DF Soft Close Recessed Hook (Surface Mounted)

Features

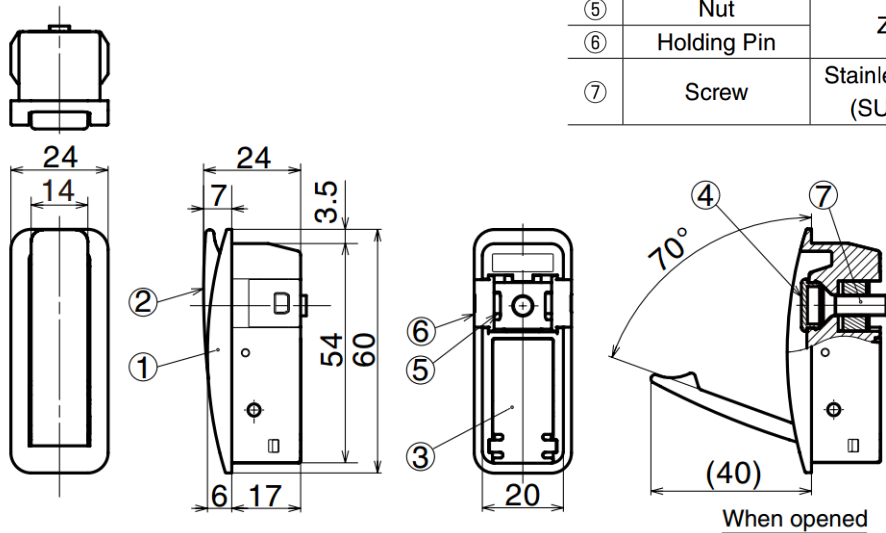
- Easy installation and removal, surface mount type on sheet metal
- Arm automatically and slowly closes when hooked items are removed
- Handhold at hook tip allows for easy opening
- Little projection when hook is retracted

Notes

- Remove cushion rubber when tightening screw
- Recommended fastening torque: 3 N.m

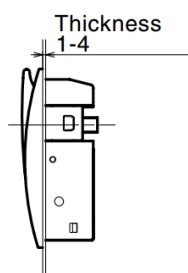
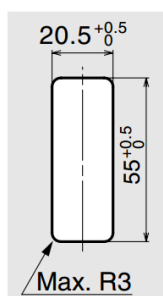


| No. | Part Name | Material | Finish / Colour |
|-----|----------------|-----------------------------|---------------------------|
| ① | Body | Aluminium Alloy (ADC) | Black, Metallic Silver |
| ② | Arm | | |
| ③ | Cover | POM | Dark Grey |
| ④ | Cushion Rubber | CR | Black, Metallic Silver |
| ⑤ | Nut | ZDD | Chromate |
| ⑥ | Holding Pin | | |
| ⑦ | Screw | Stainless Steel (SUS304) | Plain |

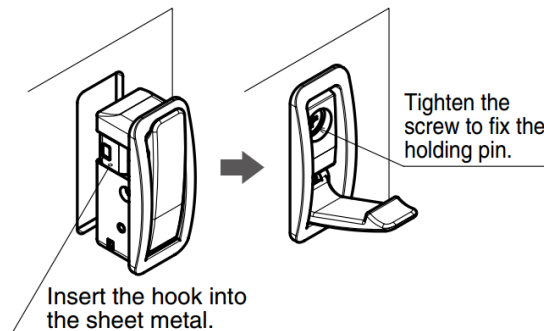


Cut Out Dimensions

Sheet Metal



Installation



| Part No. | Colour | Load Capacity | |
|--------------|------------------------|---------------|-------|
| GNF-60DF-BL | Black, Metallic Silver | 294 N | 30 kg |
| GNF-60DF-MSL | Metallic Silver | | |